

4

3

2

1

THIS DRAWING IS UNPUBLISHED. RELEASED FOR PUBLICATION - , - .
 © COPYRIGHT - By - ALL RIGHTS RESERVED.

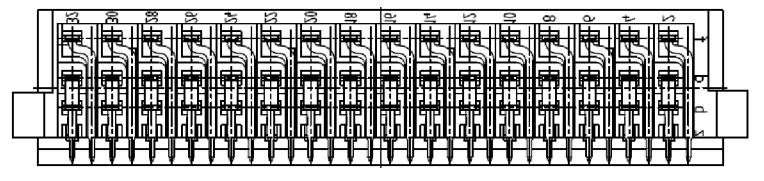
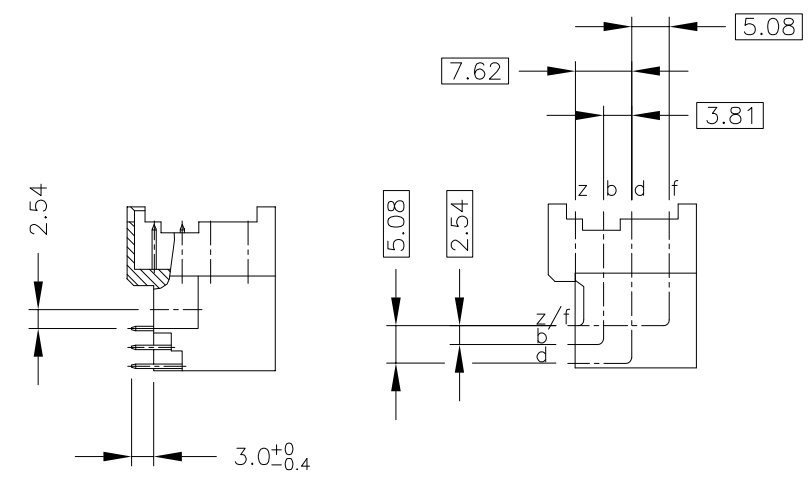
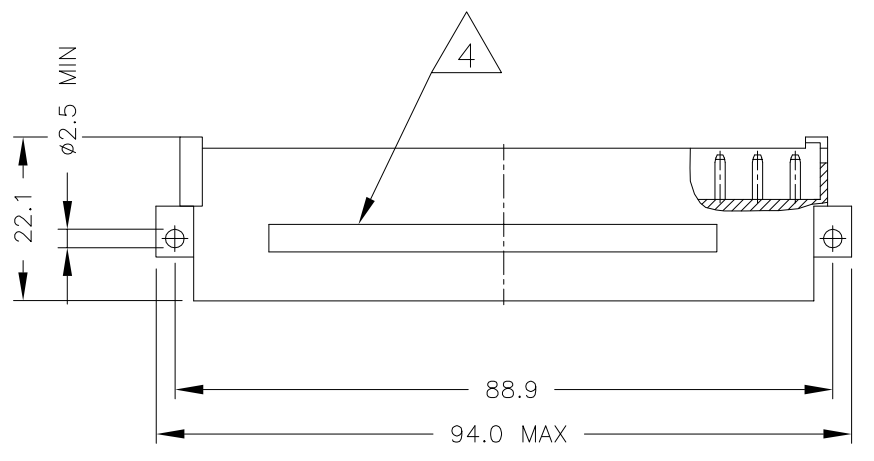
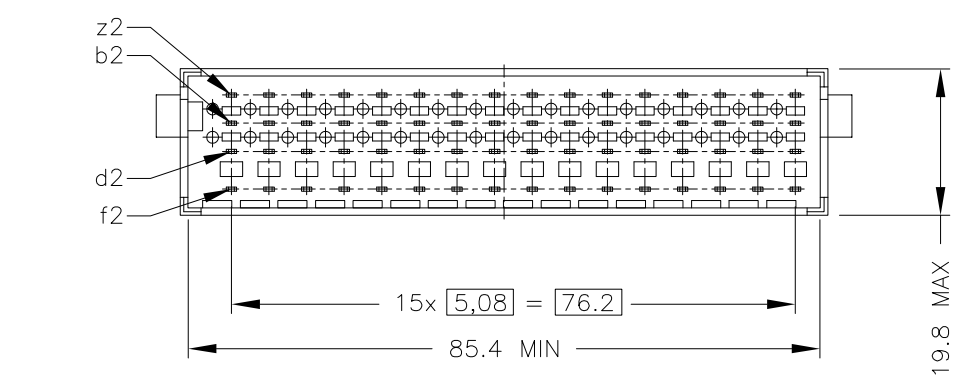
REVISIONS				
P	LTR	DESCRIPTION	DATE	APVD
	A1	ECR-07-024622	16OCT2007	JvH BM
	A2	REVISED PER ECO-16-008068	06FEB16	BJ SY


NOTES:

- HOUSING: GLASS FILLED THERMOPLASTIC UL 94 V-0 RATED; GREY
- CONTACTS: COPPER ALLOY
- PLATING:
 CONTACT AREA: PERFORMANCE LEVEL 1 OR 2 (SEE TABLE)
 ACCORDING TO DIN 41612 AND EN 60603-2, TYPE G
 SOLDERING AREA: 3-7µm TIN OVER 0,8µm NICKEL
 CONNECTOR IS PRINTED WITH PARTNUMBER AND DATECODE
 PART IDENTICAL TO 5-9

P/N	PERF.LVL	CONTACT ASSIGNMENT																								POS								
		1								2								3																
4-2	1	1	2	3	4	5	6	7	8	9	0	1	2	3	4	5	6	7	8	9	0	1	2	3	4	5	6	7	8	9	0	1	2	64
5-9	2	z	+	+	+	+	+	+	+	+	+	+	+	+	+	+	+	+	+	+	+	+	+	+	+	+	+	+	+	+	+	+	+	
6-0	2	b	+	+	+	+	+	+	+	+	+	+	+	+	+	+	+	+	+	+	+	+	+	+	+	+	+	+	+	+	+	+		
		d	+	+	+	+	+	+	+	+	+	+	+	+	+	+	+	+	+	+	+	+	+	+	+	+	+	+	+	+	+	+		
		f	+	+	+	+	+	+	+	+	+	+	+	+	+	+	+	+	+	+	+	+	+	+	+	+	+	+	+	+	+	+		
4-4	1	1	2	3	4	5	6	7	8	9	0	1	2	3	4	5	6	7	8	9	0	1	2	3	4	5	6	7	8	9	0	1	2	64
6-1	2	z	v	+	+	+	+	+	+	+	+	+	+	+	+	+	+	+	+	+	+	+	+	+	+	+	+	+	+	+	+	+		
		b	v	+	+	+	+	+	+	+	+	+	+	+	+	+	+	+	+	+	+	+	+	+	+	+	+	+	+	+	+	+		
		d	+	+	+	+	+	+	+	+	+	+	+	+	+	+	+	+	+	+	+	+	+	+	+	+	+	+	+	+	+	+		
		f	+	+	+	+	+	+	+	+	+	+	+	+	+	+	+	+	+	+	+	+	+	+	+	+	+	+	+	+	+	+		

+ CONTACT
 v PREMATING CONTACT 1,3mm



THIS DRAWING IS A CONTROLLED DOCUMENT.		DWN	J.van Hoek	05OCT2007	 TE Connectivity	NAME					
DIMENSIONS: mm		CHK	B.Mooij	16OCT2007		EUROCARD MALE CONNECTOR TYPE G					
TOLERANCES UNLESS OTHERWISE SPECIFIED:		APVD	J.Broeksteeg	16OCT2005		64 POS. ANGLED					
0 PLC ± - 1 PLC ± - 2 PLC ± - 3 PLC ± - 4 PLC ± - ANGLES ± -		PRODUCT SPEC									
MATERIAL		APPLICATION SPEC		WEIGHT		SIZE	CAGE CODE	DRAWING NO	RESTRICTED TO		
-		-		0		A3	00779	G-4-1393755-2	-		
CUSTOMER DRAWING						SCALE	1:1	SHEET	1 OF 1	REV	A2